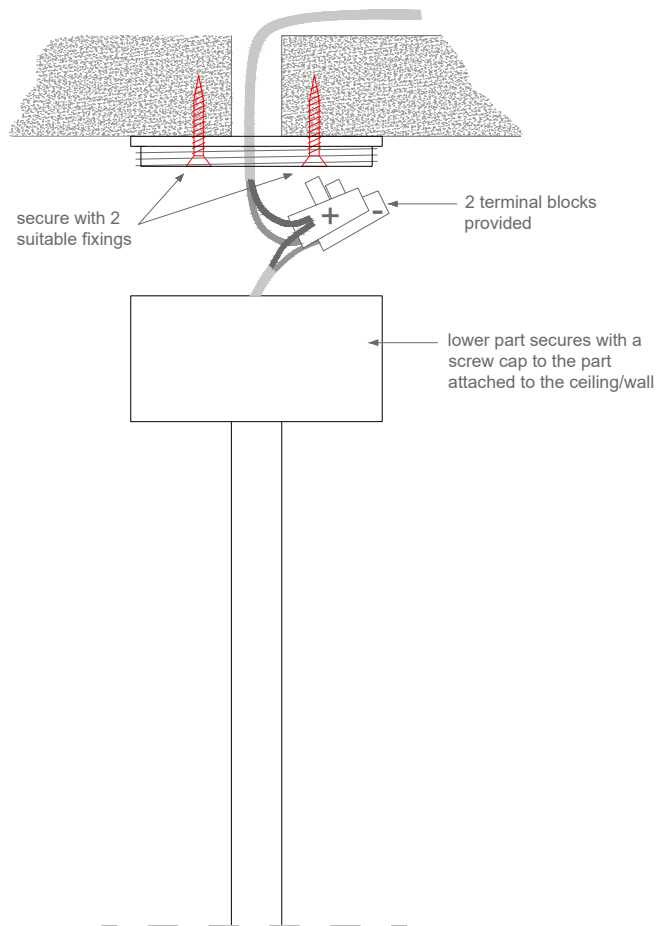


INSTALLATION INSTRUCTIONS:

_Installation must be carried out by a qualified electrician.

_Before installing, make sure that mains is switched off.

_LED s are sensitive to misuse and inappropriate installation. If in spite of all precautions, damage to LED occurred, contact LIGHTSON to discuss further actions. Do not try to fix or replace components without consulting our engineer, this may cause extra damage to your fixture and potentially charges.



* All accessories shown at the instruction drawing (terminal blocks, fixings etc) are provided.